



ProForce® Price Guide

JANUARY 2013

ProTeam
The Vacuum Company
Four Level Filtration
Cleaning for Health®

ProTeam
The Vacuum Company
Four Level Filtration
Cleaning for Health®

table of contents

ProForce® 1500XP HEPA/1200XP HEPA Specs	1
ProForce 1500 HEPA Specs	1
Filters & Attachments	1
ProForce 1500XP HEPA/1200XP HEPA Parts	2-3
ProForce 1500 HEPA Parts	4-5
ProForce HEPA Parts Chart	back cover



- Prices effective January 1, 2013. All prices, specifications and offers are subject to change without notice.
- All specs are based on motor specs.

TRADEMARKS

ProTeam, ProForce, and Intercept Micro are registered trademarks of ProTeam, Inc.

© 2008-2013 ProTeam, Inc. All Rights Reserved.



The American Lung Association does not endorse products



Our top-of-the-line ProForce uprights have evolved into superior cleaning machines. The ProForce uprights provide exceptional cleaning in a high-filtration upright to improve reach, durability and Indoor Air Quality. The dual motor system and HEPA exhaust filter maximize efficiency and effectiveness.

The powerful ProForce contains a high-performance dual-motor system and a low profile, L-shaped head perfect for vacuuming under and around furniture.

ProForce 1500XP HEPA and ProForce 1200XP HEPA models are equipped with premium quality on-board tools including a lightweight plastic wand with a super stretch-hose.

The ProForce 1200XP HEPA is designed for advanced versatility allowing the 12" powerhead to reach even smaller spaces.

WARRANTY:

3 years on parts, labor, motor and molded body parts.
*see owner's manual for complete warranty details.

ProForce 1500XP HEPA/ProForce 1200XP HEPA

Specifications

Weight: 18 lbs.
Airflow: 96 CFM
Static Lift: 84 in.
Power: 924 W Dual Motor
Amperage: 10 A
Decibel: 67 dB
Capacity: 3.25 qt. / 3 L
Four Level Filtration w/HEPA: 522 sq. in. total media

INCLUDES: HEPA cartridge, 50 ft. safety-yellow power cord, electronic system performance indicator, quick release cord dump, on-board 1.5" suction wand and accessory tools, ergonomic padded handle grip with conveniently mounted 3-way power switch, 14.5" hard wood brush roll, super stretch-hose and quick release wand for detail cleaning and hard-to-reach areas.

- No. 107252 ProForce 1500XP HEPA **\$569**
- No. 107251 ProForce 1200XP HEPA **\$459**

ProForce 1500 HEPA

Specifications

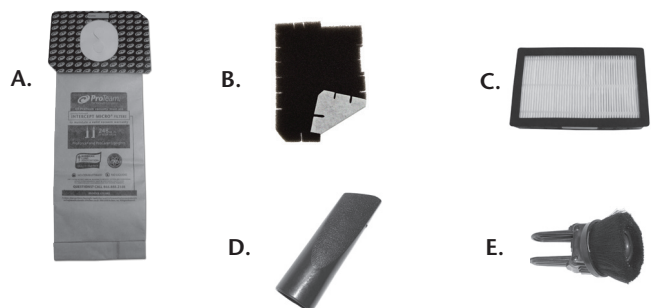
Weight: 17 lbs.
Airflow: 96 CFM
Static Lift: 84 in.
Power: 924 W Dual Motor
Amperage: 10 A
Decibel: 67 dB
Capacity: 3.25 qt. / 3 L
Four Level Filtration w/HEPA: 522 sq. in. total media

INCLUDES: HEPA cartridge, 50 ft. safety-yellow power cord, electronic system performance indicator, quick release cord dump, ergonomic padded handle grip with conveniently mounted 3-way power switch, and 14.5" hard wood brush roll.

- No. 107253 **\$479**

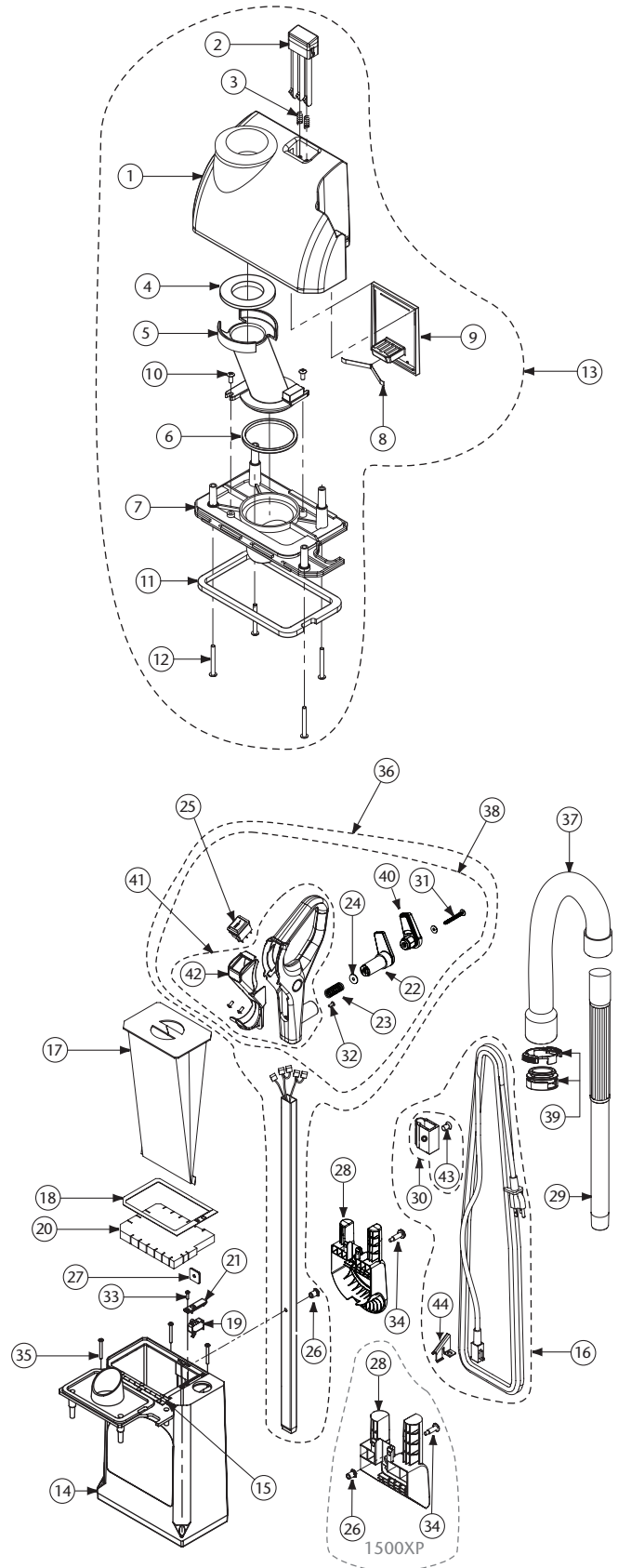
Filters and Attachments

PART#	DESCRIPTION	LIST
A. 103483	Intercept Micro Filter Bags, 10-pack	\$11.21
B. 104281	Replacement Motor Intake Filter	3.03
C. 107005	Replacement HEPA Cartridge	5.78
D. 104832	Replacement Crevice Tool	2.73
E. 104833	Replacement Combo Upholstery/Dust Brush	20.60



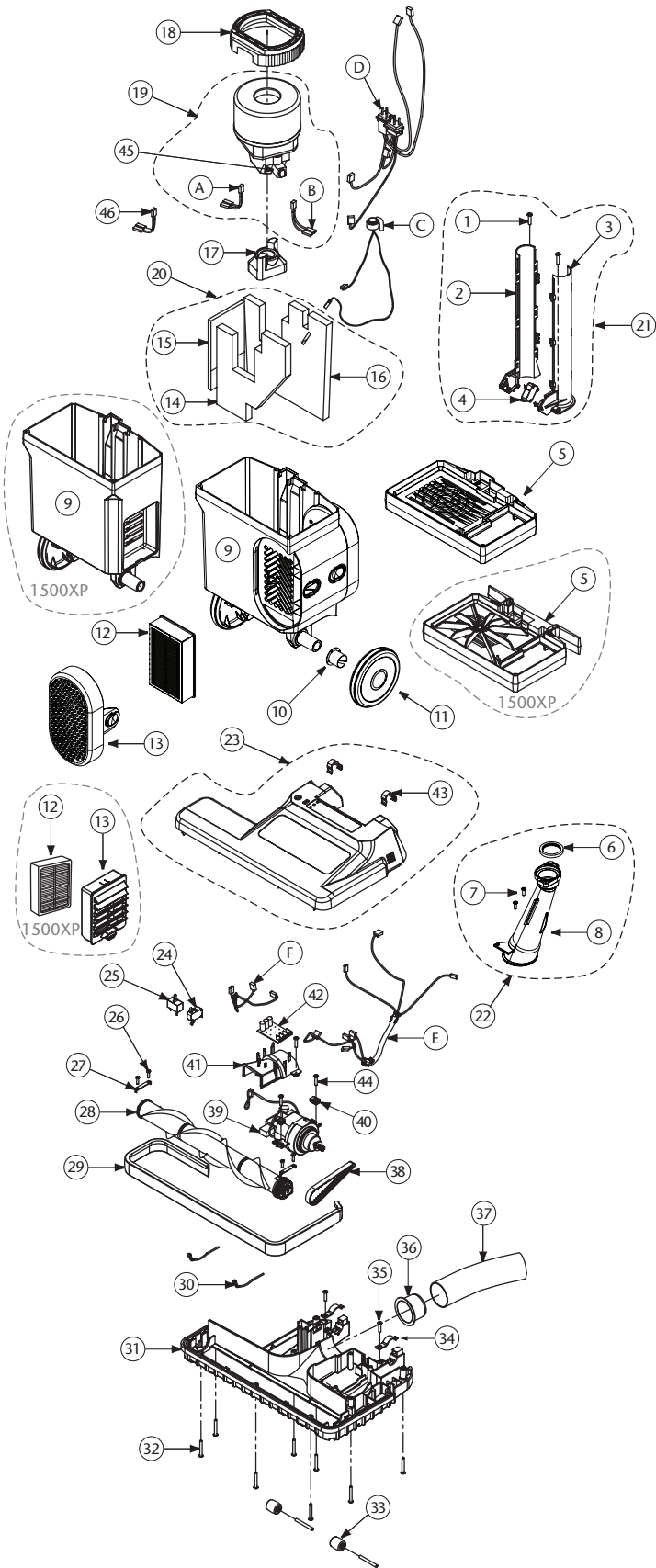
1500XP HEPA/1200XP HEPA parts

No.	Product Name	Qty	List Price
1	104234 Cover, Bag Housing, Grey F/XP	1 ea.	\$17.37
2	104232 Latch, Release, Bag Cover	1 ea.	4.63
3	104233 Spring, Release Button, F/Bag Cover Latch	2/pk	2.32
4	104235 Seal, Transition Duct/Bag Cover, Upper	1 ea.	3.48
5	104236 Duct, Transition, Bag Cover, F/XP	1 ea.	6.95
6	104238 Seal, Transition Duct/Bag Cover Nozzle Plate, Lower	1 ea.	2.32
7	104239 Plate, Bag Cover Nozzle, F/XP	1 ea.	5.42
8	104242 Spring, Bag Cover Latch	1 ea.	3.48
9	104243 Plate, Bag Cover Latch	1 ea.	2.55
10	104505 Screw, Phillips, 4mm x 9.5mm	2/pk	2.32
11	104241 Gasket, Bag Cover	1 ea.	2.55
12	104493 Screw, Phillips, 4.2mm x 38mm	4/pk	4.25
13	105486 Filter Cover Kit w/Riveted Hinge and 6 Rivets (includes: #1-12)	1 kit	45.84
14	107260 1500XP HEPA Bag Housing Assembly, Grey w/Riveted Hinge & Decal Incl: Bag Cover Nozzle Plate	1 ea.	41.67
104490	1500XP Bag Housing Assembly, Grey w/Riveted Hinge & Decal Incl: Bag Cover Nozzle Plate	1 ea.	41.67
107214	1200XP Bag Housing Assembly, Grey w/Riveted Hinge & Decal Incl: Bag Cover Nozzle Plate	1 ea.	41.67
107285	1200XP HEPA Bag Housing Assembly, Grey w/Riveted Hinge & Decal Incl: Bag Cover Nozzle Plate	1 ea.	41.67
15	104491 Rivet F/Bag Housing Assembly	6/pk	3.48
16	104284 Cord, Power, w/Strain Relief, 50' Yellow (includes: #30, 44)	1 ea.	36.73
17	103483 Intercept Micro Filter	10/pk	11.21
18	104738 Seal, Gasket, Bag Housing	1 ea.	2.55
19	104283 Switch, Filter, Lock-Out	1 ea.	10.83
20	104281 Filter, Double Layer Motor Intake	1 ea.	3.03
21	104282 Cover, Switch, Filter Lock-out	1 ea.	2.55
22	104268 Bracket, Cord Wrap	1 ea.	4.63
23	104269 Spring, Compression, Cord Wrap Bracket	1 ea.	2.55
24	104270 Washer, Compression Spring, Cord Wrap Bracket	1 ea.	1.16
25	105147 Switch, Rocker, On/Off	1 ea.	13.89
26	104264 Bushing, Handle Tube	1 ea.	1.28
27	104259 Plate, Handle Nut	1 ea.	1.28
28	104265 Handle, Carry w/Tool Caddy, F/XP	1 ea.	5.79
107256	Handle, Carry w/Tool Caddy, F/XP (HEPA)	1 ea.	5.79
29	104294 Wand, F/XP	1 ea.	15.28
30	105091 Clasp, Strain Relief Kit w/Fastener (include: #43)	1 ea.	6.37
31	104271 Screw, Cord Wrap, 4mm x 35mm, Phillips Round Head	1 ea.	2.32
32	104509 Screw, Phillips, 4mm x 10mm x .07 Pitch, F/Handle Assembly	1 ea.	2.32
33	105075 Screw, Phillips, 2.9mm x 13mm, F/Switch Cover	1 ea.	4.14
34	104266 Screw, Handle Assembly	1 ea.	1.42
35	104493 Screw, Phillips, 4.2mm x 38mm	4/pk	4.25
36	106618 Handle, Tube Assembly Complete, F/XP (includes: #26, 38)	1 ea.	63.03
37	104961 Hose, Assembly w/Cuffs, F/XP (includes: #39)	1 ea.	44.57
38	106617 Handle Kit (includes: #22, 23, 24, 25, 31, 32, 40, 41)	1 kit	41.67
39	105573 Quick Release Hose Cuff	1 ea.	17.27
40	107093 Impact Bumper	1 ea.	1.04
41	106619 Handle/Bezel Assembly (PF 1500XP) (includes: #42)	1 ea.	23.15
42	106739 Handle Bezel (PF 1500XP)	1 ea.	8.28
43	105320 Fastener	1 ea.	4.97
44	107203 Cord Retention Clip	1 ea.	.83



For shaded areas refer to back cover

1500XP HEPA/1200XP HEPA parts



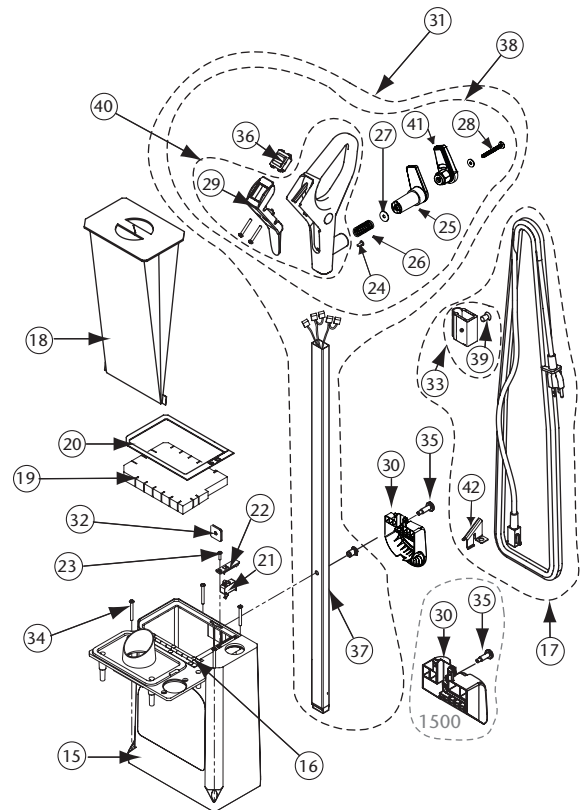
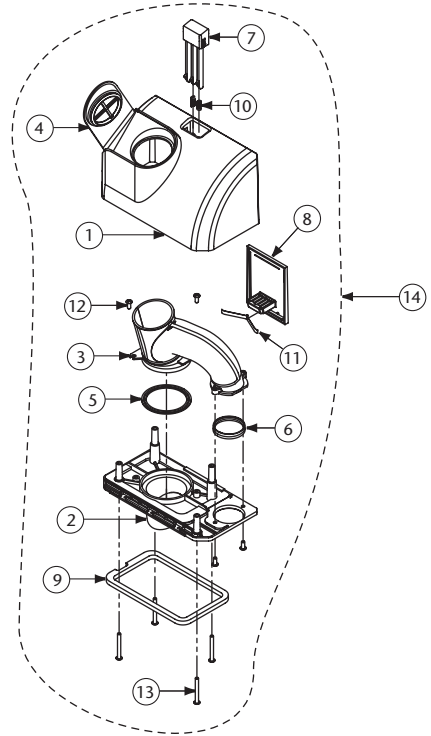
No.	Product Name	Qty	List Price
1	104267 Screw, Phillips, 4mm x 12mm F/Wand Guide	2/pk	\$ 4.25
2	104261 Guide, Wand, Upper Left	1 ea.	3.48
3	104260 Guide, Wand, Upper Right	1 ea.	3.48
4	104263 Switch, Wand Lockout	1 ea.	7.64
5	107255 1500XP HEPA Bulkhead, Dark Grey	1 ea.	15.36
	104245 1500XP/1200XP HEPA Bulkhead, Dark Grey	1 ea.	15.36
6	104253 Seal, Lower Air Duct, Nitrile	1 ea.	1.28
7	104267 Screw, Phillips, 4mm x 12mm F/Lower Air Duct	2/pk	4.25
8	104250 Air Duct	1 ea.	10.83
9	107257 1500XP HEPA Motor Housing, Charcoal	1 ea.	36.17
	104536 1500XP/1200XP HEPA Motor Housing, Charcoal	1 ea.	36.17
10	104504 Bearing, Pivot	2/pk	3.48
11	104306 Wheel, Rear	2/pk	12.74
12	107005 1500XP HEPA Filter, Exhaust, HEPA Media	1 ea.	5.78
	105136 Filter, Exhaust, HEPA Media	1 ea.	6.95
13	107258 1500XP HEPA Cover, Filter Cartridge, Charcoal	1 ea.	5.22
	104246 1500XP/1200XP HEPA Cover, Filter Cartridge, Charcoal	1 ea.	5.22
14	103532 Foam, Sound, Motor Housing, Front Panel	1 ea.	5.42
15	103533 Foam, Sound, Motor Housing, Left Panel	1 ea.	3.18
16	103531 Foam, Sound, Motor Housing, Rear Panel	1 ea.	7.64
17	104247 Motor Mount, Lower Nitrile	1 ea.	6.37
18	104249 Motor Mount, Upper Nitrile	1 ea.	10.83
19	104957 Motor Assembly w/Jumpers (includes: A, B)	1 kit	76.41
20	105488 Motor Housing Sound Filter (includes: #14,15,16)	1 kit	15.28
21	105490 Wand Kit (includes: #1, 2, 3, 4)	1 kit	10.19
22	105489 Air Duct Kit (includes: #6, 7, 8)	1 kit	11.47
23	107282 1500XP HEPA Power Nozzle Cover w/Detent Springs & Decal	1 ea.	31.45
	104494 1500XP Power Nozzle Cover w/Detent Springs & Decal	1 ea.	31.45
	107165 1200XP Power Nozzle Cover w/Detent Springs & Decal	1 ea.	31.45
	107283 1200XP HEPA Power Nozzle Cover w/Detent Springs & Decal	1 ea.	31.45
24	104279 Switch, Safety, Power Nozzle Lockout	1 ea.	13.73
25	104212 Circuit Breaker	1 ea.	17.51
26	104496 Screw, Phillips, 3.5mm x 13mm, F/Brush Retainer	4/pk	5.30
27	104499 Retainer, Brush Roll	2/pk	2.55
28	104216 Brush Roll, Power Nozzle, 14"	1 ea.	30.35
	107163 1200XP Brush Roll, Power Nozzle, 12"	1 ea.	30.35
29	104218 Bumper, Power Nozzle, Vinyl	1 ea.	6.95
	107166 1200XP Bumper, Power Nozzle, Vinyl	1 ea.	6.95
30	104500 Brace, Formed Wire, F/Power Nozzle Base	2/pk	2.55
31	104221 Baseplate, Power Nozzle	1 ea.	45.80
	107167 1200XP HEPA Baseplate, Power Nozzle	1 ea.	45.80
32	104497 Screw, Phillips, 4mm x 35mm F/Base Cover	8/pk	6.02
33	834363 Wheel, Front Idler Replacement Kit	1 kit	7.18
34	104503 Clamp, Rear Wheel	1 set	4.45
35	104495 Screw, Phillips, 4mm x 19mm F/Powerhead	5/pk	3.48
36	104227 Sleeve, Hose, Air Duct	1 ea.	2.55
37	104230 Hose, Power Nozzle to Air Duct, Lower	1 ea.	5.88
38	104217 Belt, Drive, F/Brush Roll	1 ea.	5.79
39	104506 Motor, Power Nozzle with Crimps	1 ea.	75.34
40	104498 Grommet, Vibration, Power Nozzle Motor, Nitrile	2/pk	2.55
41	104224 Cover, Air Duct, Power Nozzle	1 ea.	4.79
42	104226 Board, Vacuum Operation Indicator	1 ea.	9.26
43	104507 Spring, Detent, Upright Lock	2/pk	3.48
44	105371 Screw, Phillips, 4.2mm x 19mm, F/Power Nozzle Motor	2/pk	2.32
45	105281 Carbon Brush Set for ProForce Motor	1 set	20.98
46	105760 Thermal Protector	1 ea.	9.37
	105754 Wire Harness Kit includes:	1 set	33.00

- A. Harness, Jumper, Red
- B. Harness, Jumper, White
- C. Sensor, Bag Full Indicator
- D. Harness, Main Power Supply
- E. Harness, Wire, Power Nozzle
- F. Harness, Power Nozzle Switch

For shaded areas refer to back cover

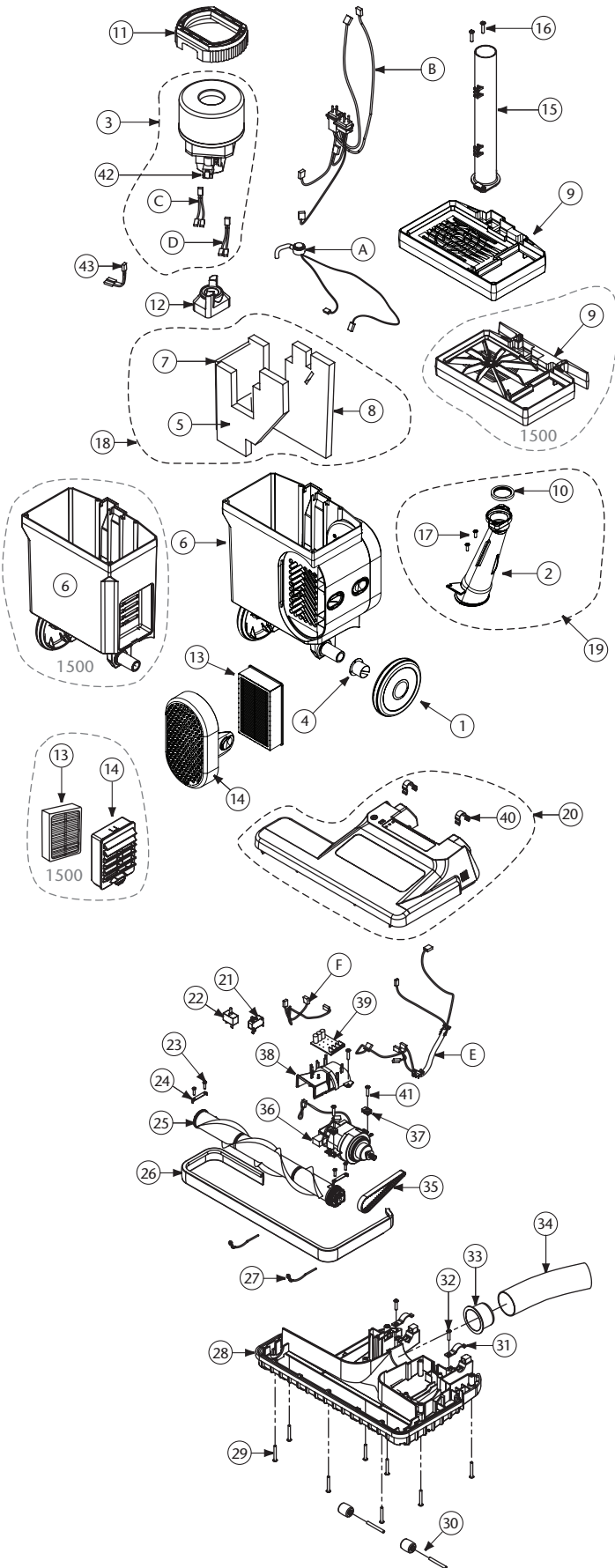
1500 HEPA parts

No.	Product Name	Qty	List Price
1	104569 Cover, Bag Housing, Grey	1 ea.	\$17.37
2	104570 Plate, Bag Cover Nozzle	1 ea.	5.79
3	104571 Duct, Crossover, Bag Cover	1 ea.	8.28
4	104574 Plug, Access Port	1 ea.	3.48
5	104575 Seal, Crossover Duct/Bag Cover Nozzle Plate, Lower	1 ea.	2.32
6	104576 Seal, Crossover Duct, Inlet	1 ea.	2.32
7	104232 Latch, Release, Bag Cover	1 ea.	4.63
8	104243 Flex Plate, Bag Cover Latch	1 ea.	2.55
9	104241 Seal, Gasket, Bag Cover	1 ea.	2.55
10	104233 Spring, Release Button, F/Bag Cover Latch	2/pk	2.32
11	104242 Spring, Bag Cover Latch	1 ea.	3.48
12	104577 Screw, Phillips, 4.2mm x 9.5mm	4/pk	2.27
13	104493 Screw, Phillips, 4mm x 38mm	4/pk	4.25
14	105491 Filter Cover Kit, w/Riveted Hinge and 6 Rivets (includes: #1-13)	1 kit	40.75
15	104739 1500 Bag Housing Assembly, Grey, w/Riveted Hinge and Decal Includes Bag Cover Nozzle Plate	1 ea.	41.67
	107284 1500 HEPA Bag Housing Assembly, Grey, w/Riveted Hinge and Decal Includes Bag Cover Nozzle Plate	1 ea.	41.67
16	104491 Rivet F/Bag Housing Assembly	6/pk	3.48
17	104284 Cord, Power Clasp, 50' Yellow (includes: #33, 42)	1 ea.	36.73
18	103483 Intercept Micro Filter	10/pk	11.21
19	104281 Filter, Motor Intake	1 ea.	3.03
20	104738 Seal, Gasket, Bag Housing	1 ea.	2.55
21	104283 Switch, Filter, Lock-Out	1 ea.	10.83
22	104282 Cover, Switch, Filter Lock-out	1 ea.	2.55
23	105075 Screw, Phillips, 2.9mm x 13mm, F/Switch Cover	1 ea.	4.14
24	104509 Screw, Phillips, F/Handle Assembly 4mm x 10mm x .07 Pitch	1 ea.	2.32
25	104268 Bracket, Cord Wrap	1 ea.	4.63
26	104269 Spring, Compression, Cord Wrap Bracket	1 ea.	2.55
27	104270 Washer, Compression Spring, Cord Wrap Bracket	1 ea.	1.16
28	104271 Screw, Cord Wrap, 4mm x 35mm Phillips Round Head	1 ea.	2.32
29	106740 Handle Bezel w/Screws (new style)	1 kit	8.13
30	107289 1500 HEPA Handle, Carry	1 ea.	5.09
	104741 1500 Handle, Carry	1 ea.	5.09
31	106615 Handle, Tube Assembly Complete (includes: #37, 38)	1 kit	63.03
32	104259 Plate, Handle Nut	1 ea.	1.28
33	105091 Clasp, Strain Relief Kit w/Fastener (includes:#39)	1 ea.	6.37
34	104493 Screw, Phillips, 4.2mm x 38mm	4/pk	4.25
35	104266 Screw, Handle Assembly	1 ea.	1.42
36	105147 Switch, Rocker, On/Off	1 ea.	13.89
37	104264 Bushing, Handle Tube	1 ea.	1.28
38	106614 Handle Kit (includes: #24, 25, 26, 27, 28, 36, 40, 41)	1 kit	41.67
39	105320 Ratchet Fastener	1 ea.	4.97
40	107073 Handle Bezel Assembly	1 ea.	23.15
41	107093 Impact Bumper	1 ea.	1.04
42	107203 Cord Retention Clip	1 ea.	.83



For shaded areas refer to back cover

1500 HEPA parts



No.	Product Name	Qty	List Price
1	104306 Wheel, Rear	2/pk	\$12.74
2	104250 Air Duct	1 ea.	10.83
3	104957 Motor Assembly Kit w/Jumpers (includes: C, D)	1 ea.	76.41
4	104504 Bearing, Pivot	2/pk	3.48
5	103532 Foam, Sound, Motor Housing Front Panel	1 ea.	5.42
6	104536 1500 Motor Housing, Charcoal	1 ea.	36.17
	107257 1500 HEPA Motor Housing, Charcoal	1 ea.	36.17
7	103533 Foam, Sound, Motor Housing Left Panel	1 ea.	3.18
8	103531 Foam, Sound, Motor Housing Rear Panel	1 ea.	7.64
9	104245 1500 Bulkhead, Dark Grey	1 ea.	15.36
	107255 1500 HEPA Bulkhead, Dark Grey	1 ea.	15.36
10	104253 Seal, Lower Air Duct , Nitrile	1 ea.	1.28
11	104249 Motor Mount, Upper Nitrile	1 ea.	10.83
12	104247 Motor Mount, Lower Nitrile	1 ea.	6.37
13	107005 1500 HEPA Filter, Exhaust, HEPA Media	1 ea.	5.78
	105136 Filter, Exhaust, HEPA Media	1 ea.	6.95
14	107258 1500 HEPA Cover, Filter Cartridge, Charcoal	1 ea.	5.22
	104246 1500/1200 Cover, Filter Cartridge, Charcoal	1 ea.	5.22
15	104578 Air Duct, Upper ProForce 1500	1 ea.	6.95
16	104209 Screw, Phillips, 4mm x 12mm, F/Upper Air Duct	2/pk	2.76
17	104267 Screw, Phillips, 4mm x 12mm, F/Lower Air Duct	2/pk	4.25
18	105488 Motor Housing Sound Filter Kit (includes: #5, 7, 8)	1 kit	15.28
19	105489 Air Duct Kit (includes: #2, 10, 17)	1 kit	11.47
20	107282 1500 HEPA Power Nozzle Cover w/Detent Springs & Decal	1 ea.	31.45
	104494 1500 Power Nozzle Cover w/Detent Springs & Decal	1 ea.	31.45
21	104279 Switch, Safety, Power Nozzle Lockout	1 ea.	13.73
22	104212 Circuit Breaker	1 ea.	17.51
23	104496 Screw, Phillips, 3.5mm x 13mm, F/Brush Retainer	4/pk	5.30
24	104499 Retainer, Brush Roll	2/pk	2.55
25	104216 Brush Roll, Power Nozzle, 14"	1 ea.	30.35
26	104218 Bumper, Power Nozzle, Vinyl	1 ea.	6.95
27	104500 Brace, Formed Wire, F/Power Nozzle Base	2/pk	2.55
28	104221 Baseplate, Power Nozzle	1 ea.	45.80
29	104497 Screw, Phillips, 4mm x 35mm F/Base Cover	8/pk	6.02
30	834363 Wheel, Front Idler Replacement Kit	1 kit	7.18
31	104503 Clamp, Rear Wheel	1 set	4.45
32	104495 Screw, Phillips, 4mm x 19mm, F/Powerhead	5/pk	3.48
33	104227 Sleeve, Hose, Air Duct	1 ea.	2.55
34	104230 Hose, Power Nozzle to Air Duct, Lower	1 ea.	5.88
35	104217 Belt, Drive, F/Brush Roll	1 ea.	5.79
36	104506 Motor, Power Nozzle with Crimps	1 ea.	75.34
37	104498 Grommet, Vibration, Power Nozzle Motor, Nitrile	2/pk	2.55
38	104224 Cover, Air Duct, Power Nozzle	1 ea.	4.79
39	104226 Board, Vacuum Operation Indicator	1 ea.	9.26
40	104507 Spring, Detent, Upright Lock	2/pk	3.48
41	105371 Screw, Phillips, 4.2mm x 19mm, F/Power Nozzle Motor	2/pk	2.32
42	105281 Carbon Brush Set for ProForce Motor	1 set	20.98
43	105760 Thermal Protector	1 ea.	9.37
	105755 Wire Harness Kit includes:	1 set	33.00

- A. Sensor, Bag, Full Indicator
- B. Harness, Wire, Main Power Supply
- C. Harness, Jumper, White
- D. Harness, Jumper, Red
- E. Harness, Wire, Power Nozzle
- F. Harness, Power Nozzle Switch

1500XP HEPA/1200XP HEPA/1500 HEPA Parts Chart

IF YOU NEED THIS

YOU ALSO NEED THIS FOR HEPA MODEL

Non-HEPA No.	HEPA Model No.	Product Name	List Price	
1 104245	107255	Bulkhead, Dark Grey	\$15.36	107256 for 1500XP, or 107289 for 1500
<i>NOTE: The HEPA model bulkhead does not have a cord wrap; it interferes with the HEPA filter cover.</i>				
2 104250	104250	Air Duct	10.83	
<i>NOTE: Older 104250s have extended "wings" on the side. The current 104250 does not. A current version must be used with HEPA models or these wings snipped off of older air ducts to be compatible with HEPA models.</i>				
3 104536	107257	Motor Housing, Charcoal	36.17	(2) 107005, (2) 107258, 104250, 107255, 107256 for 1500XP, or 107289 for 1500
<i>NOTE: 104536 available for non-HEPA models while supplies last. The new motor housing requires other parts for compatibility.</i>				
4 105136	107005	Filter, Exhaust, HEPA Media	5.78	
5 104246	107258	Cover, Filter Cartridge, Charcoal	5.22	
6 104265	107256	Handle, Carry W/Tool Caddy	5.79	
7 104741	107289	Handle, Carry	5.09	
8 104490	107260	1500XP HEPA Bag Housing Assembly, Grey w/Riveted Hinge & Decal	41.67	107257, (2) 107005, (2) 107258, 104250, 107255, 107256
104739	107284	1500 HEPA Bag Housing Assembly, Grey w/Riveted Hinge & Decal	41.67	107257, (2) 107005, (2) 107258, 104250, 107255, 107289
107214	107285	1200XP HEPA Bag Housing Assembly, Grey w/Riveted Hinge & Decal Incl: Bag Cover Nozzle Plate	41.67	107257, (2) 107005, (2) 107258, 104250, 107255, 107289
<i>NOTE: 104490 & 104739 available for non-HEPA models while supplies last. The HEPA model housing requires the new carry handle.</i>				
9 104494	107282	1500XP Power Nozzle Cover w/Detent Springs & Decal	31.45	107257, (2) 107005, (2) 107258, 104250, 107255, 107289
107165	107283	1200XP Power Nozzle Cover w/Detent Springs & Decal	31.45	107257, (2) 107005, (2) 107258, 104250, 107255, 107289

